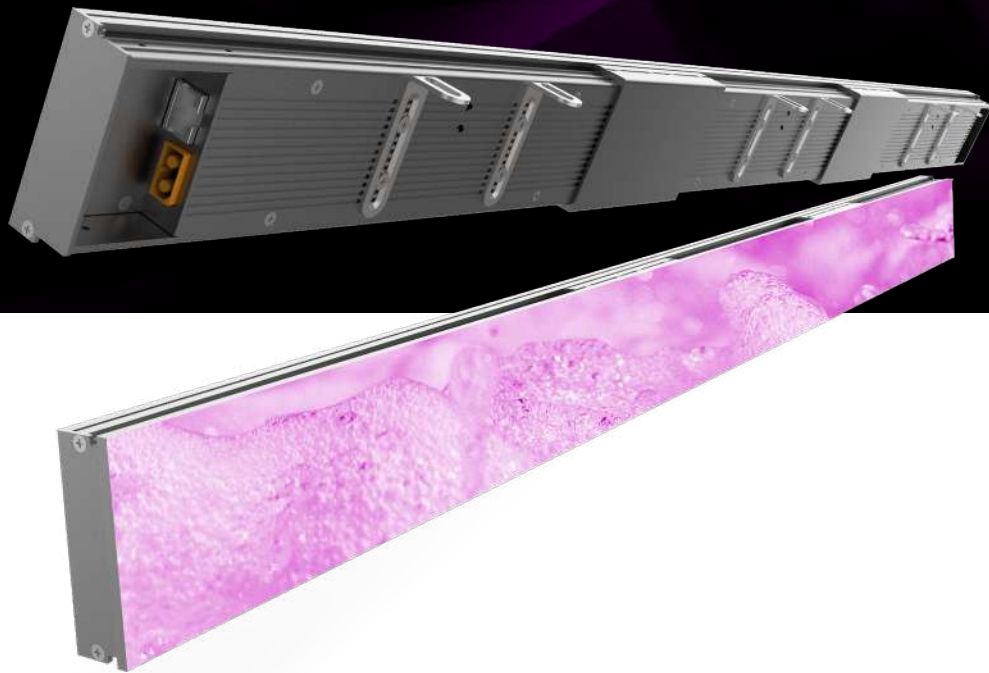




# PLASMA

SHELF LED DISPLAY





### OVERVIEW

The PLASMA is well suited for both small and large stores. This fine pixel pitch LED shelf is the perfect way to promote your best-selling products, advertise discounts, and more. Easy to integrate and very resilient, the PLASMA is an investment that will endure over the years and perform outstandingly.



APPLICATION  
**Indoor**



BRIGHTNESS  
**≤ 600 NITS@ 5volts**



INGRESS PROTECTION  
**IP65 (front) / IP41 (back)**



WEIGHT  
**0.35kg / cabinet**



PIXEL PITCH  
**P1.2**



MATERIAL  
**Aluminum**



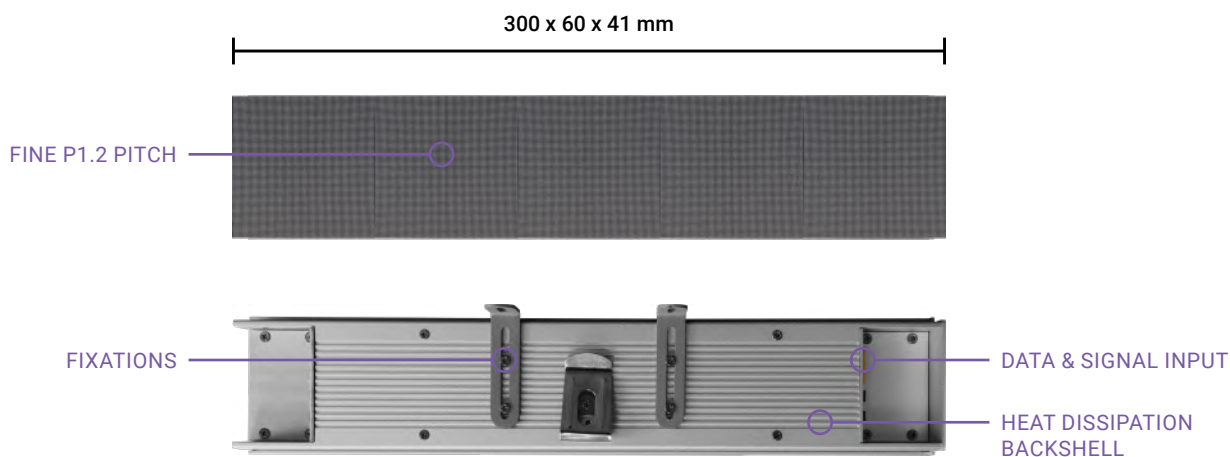
DISPLAY AREA (W x H)  
**300 x 60 mm**



MAINTENANCE  
**Front maintenance**



### FEATURES





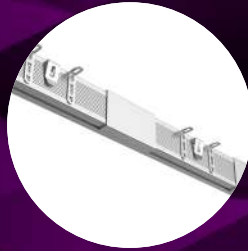
### DURABILITY

The PLASMA offers excellent heat dissipation and low light decay. The IP65 screen protection is entirely waterproof, dustproof, and shockproof. Even with in-

tensive and prolonged use, the PLASMA will perform and stay true to its original condition.



**SUPPORTS MULTIPLE  
TRANSMISSION METHODS**



**SIMPLE ASSEMBLY**



**COMMERCIAL SOLUTION**



### LED SHELVES

The PLASMA is ideal for any situation that requires a continued and prolonged LED display, such as trading floors, airports, shops, and many more. Its integration and maintenance are fast and easy processes that can be operated by one technician.

### PLUG & PLAY

The PLASMA is recognized automatically by your computer when plugged in. This allows it to be installed quickly and efficiently.



### VISUAL PERFORMANCE

The quick and seamless assembly of PLASMA cabinets offers a continuous and precise image quality. With a 1.25mm pixel pitch, the PLASMA is

highly performant visually speaking. The PLASMA's visual potential is also due to its high contrast ratio, which allows sharp image resolution.



### TECHNICAL SPECIFICATIONS

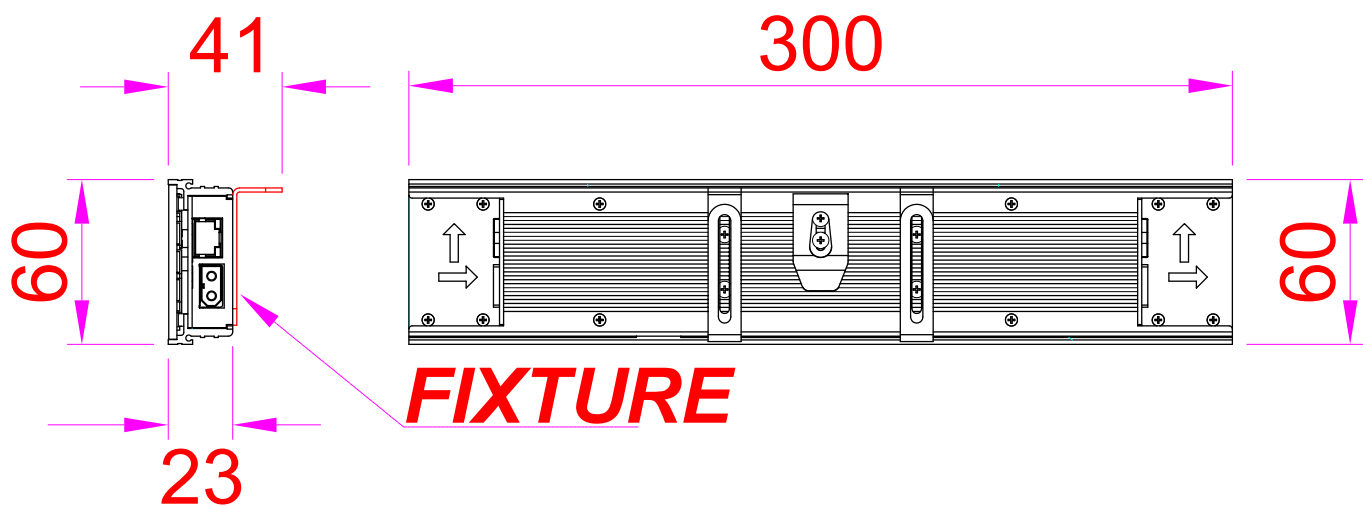
		INDOOR
Product Parameters	Unit	1.2
Pixel Pitch	mm	1,25
LED		COB 1R1G1B
Application		Retail promotion stripes
Ingress Protection	IP	IP65 (front) / IP41 (rear)
Brightness	cd/sqm	≤ 600 NITS@5volts
Color Temperature after calib (adjustable)	deg. K	3200 - 9300
Viewing Angle (50% brightness)	deg.	170 H / 170 V
Device size (WxHxD)	mm	300 x 60 x 41
Display area (WxH)	mm	300 x 60
Cabinet size (WxHxD)	mm	300 x 60 x 23
Module size (WxHxD)	mm	No module
Device pixel matrix (WxH)	px	240 x 48
Cabinet pixel matrix (WxH)	px	240 x 48
Module pixel matrix (WxH)	px	-
Pixel Density	px/sqm	640000
Weight	kg	0.35
Cabinet Material		Aluminum
Maintenance Mode		Front Maintenance
Mask specification		No Mask
Contrast Ratio		≥ 10000:1
Grey scale (linear)	bit	16
Brightness control	bit	16
Processing depth	bit	16
Color		281 Trillions
Display Refresh Rate	Hz	1920 Hz
Operation Power	V	DC 24V
Max. Power Consumption	W/sqm	300
Average Power Consumption	W/sqm	100
Control Mode		Asynchronization & Synchronization
Video Frame Rate	Hz	50/60Hz
Input Types Supported		USB memory / WIFI / 4G / Lan / RJ45
3D ready (optional)		No
Calibration		Yes
Lifetime (50% brightness)	h	50000
Operating Humidity Range		10% ~ 95%
Operating Temperature Range		-20°C ~ +80°C
Screen Uniformity Correction		-
Certification		CE / ETL / CCC
Available options		No
Compatibility		No



Information and design in this leaflet are subject to Artixium France SAS copyright. No material from this leaflet can be used in any context without ARTIXIUM approval. Designs and specifications are subject to change without notice. All images of ARTIXIUM products components and accessories used here are also subject to change without notice. All information presented herein is based on the latest information at the time of publishing. Actual results of performance and other specifications may differ or vary with production models and may depend on selected options and model ranks.



## TECHNICAL DRAWINGS







# CONTACT

The Artixium regional branches are the key for the growth and development of our global network all over the world. Artixium's team is a spectrum of different nationalities and cultures, reflecting their global presence and mindset, mak-

ing their communication smooth and hassle-free with clients from all around the world. Customer care, Innovation and flexibility has always been our values and we intend to keep this reputation for many years to come.

## ARTIXIUM FRANCHISES

*"From your project's conception to its completion."*



112 Avenue Franklin Roosevelt  
69120 Vaulx-en-Velin  
France



Artixium Operational Center  
518000 Shenzhen  
China




Weissensteinstrasse 90b,  
46149 Oberhausen  
Germany



Merkez Mah. Baglar Cad. A  
Blok Apt. No: 14D/13 Kagithane, Istanbul  
Turkey



 [www.artixium.com](http://www.artixium.com)

 0 428 001 801

 [linkedin.com/company/artixium](https://www.linkedin.com/company/artixium)

 [twitter.com/artixium](https://twitter.com/artixium)

 [contact@artixium.com](mailto:contact@artixium.com)

 [youtube.com/@artixium](https://www.youtube.com/@artixium)

 [facebook.com/artixium](https://www.facebook.com/artixium)

 [instagram.com/artixium](https://www.instagram.com/artixium)



Since its creation in 2012 by two european entrepreneurs, Artixium has been evolving and always looking for innovative ways to contribute to the digital transition of our world. It only took a few years for Artixium to become a key player in the LED display industry.

---

[www.artixium.com](http://www.artixium.com)