



PAD 2.0

INDOOR LED POSTER - FINE PITCH






OVERVIEW

This mobile LED poster has P1.5 fine pixel pitch. It comes with a plug & play system allowing you to display high-quality visual content by simply plugging a USB stick in. Several PAD 2.0 can be assembled laterally to form one giant LED screen. This product is the high-end version of our PAD, with better visual properties, lighter weight, and better resilience to particle ingress.



 APPLICATION
Indoor

 BRIGHTNESS
≤ 800 NITS@ 5volts

 INGRESS PROTECTION
IP43

 DEVICE WEIGHT
23.5 kg

 PIXEL PITCH
P1.5

 MATERIAL
Die-casting aluminum

 DISPLAY AREA (W x H)
512 x 1768 mm

 MAINTENANCE
Front maintenance



FEATURES





PLUG & PLAY

The PAD 2.0 is designed to simplify visual content broadcasting as much as possible. Whether it's by plugging a USB key, a PC via HDMI, or using the WIFI to connect several devices to each other,

the solutions are as numerous as they are simple. This product's use is very accessible, which makes it an ideal solution for shop owners, event organizers, etc.



SUPPORTS SEVERAL
TRANSMISSION METHODS



NATURAL HEAT
DISSIPATION



DISPLAY ON
SEVERAL DEVICES

HIGH RESOLUTION

The fine pixel pitch of the PAD 2.0 is second to none but to our ultra HD media product range. With a high contrast ratio, you can display high-quality videos without any issue.

MOBILITY

The PAD 2.0 is our lightest LED poster, a feat that isn't matched by any of our competitors. This feature makes it ideal for temporary LED installations such as exhibitions, fairs, etc. The integrated power box and stand make shifting the PAD 2.0 easy and quick whilst ensuring the LEDs' integrity.

REACTIVITY

Upon request, we can integrate light and motion sensors into the PAD 2.0. You can therefore make your visual content react to passerbys' movement or to the ambient light to offer an original and coherent promotional solution.





TECHNICAL SPECIFICATIONS

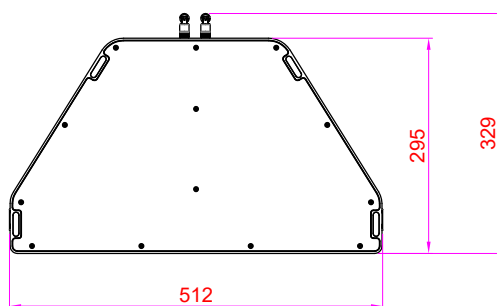
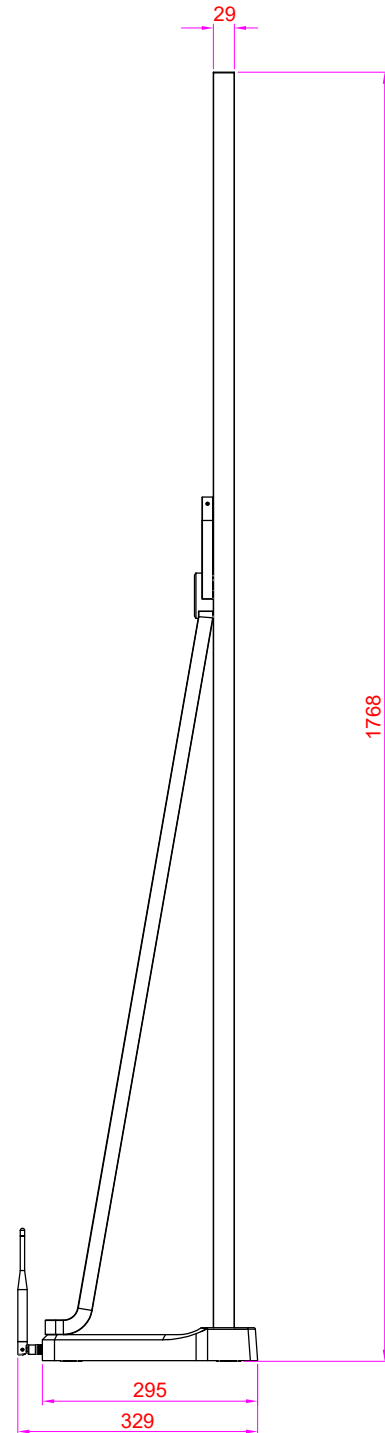
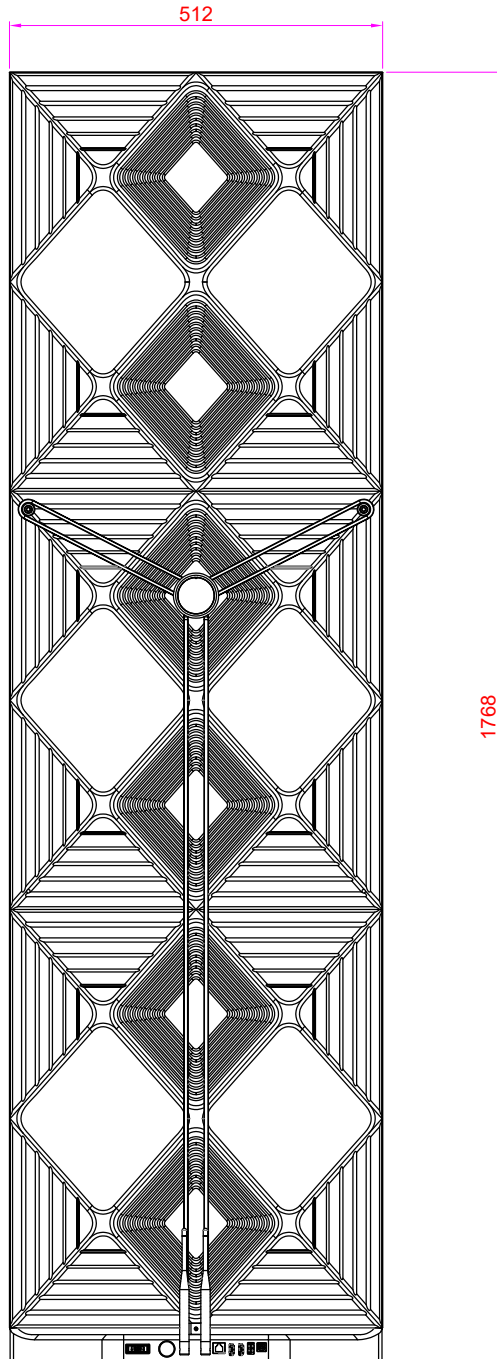
		INDOOR
Product Parameters	Unit	1.5
Pixel Pitch	mm	1,50
LED		SMD1212
Application		Mobile indoor LED poster
Ingress Protection	IP	IP43
Brightness	cd/sqm	≤ 800 Nits @5volts
Color Temperature after calib (adjustable)	deg. K	500 - 10000
Viewing Angle (50% brightness)	deg.	160(+/-70) H / 160 V
Device size (WxHxD)	mm	512 x 1768 x 329
Display area (WxH)	mm	512 x 1768
Cabinet size (WxHxD)	mm	No cabinet
Module size (WxHxD)	mm	512 x 573.76 x 23.6
Device pixel matrix (WxH)	px	341 x 1146
Cabinet pixel matrix (WxH)	px	-
Module pixel matrix (WxH)	px	341 x 382
Pixel Density	px/sqm	443577
Weight	kg	23.5
Cabinet Material		Die-casting aluminum
Maintenance Mode		Front
Mask specification		95% Plastic + 5% Fiber / SS screws / No shaders
Contrast Ratio		7000:1
Grey scale (linear)	bit	16
Brightness control	bit	16
Processing depth	bit	16
Color		281 Trillions
Display Refresh Rate	Hz	1920 - 3840
Operation Power	V	AC220V
Max. Power Consumption	W/sqm	500
Average Power Consumption	W/sqm	120
Control Mode		Synchronization
Video Frame Rate	Hz	50/60Hz
Input Types Supported		SDI / HDMI / USB
3D ready (optional)		Yes
Calibration		Yes
Lifetime (50% brightness)	h	50000
Operating Humidity Range		10-95%
Operating Temperature Range		-10°C / +50°C
Screen Uniformity Correction		-
Certification		CE / ETL / CCC
Available options		-
Compatibility		-



Information and design in this leaflet are subject to Artixium France SAS copyright. No material from this leaflet can be used in any context without ARTIXIUM approval. Designs and specifications are subject to change without notice. All images of ARTIXIUM products components and accessories used here are also subject to change without notice. All information presented herein is based on the latest information at the time of publishing. Actual results of performance and other specifications may differ or vary with production models and may depend on selected options and model ranks.



TECHNICAL DRAWINGS





CONTACT

The Artixium regional branches are the key for the growth and development of our global network all over the world. Artixium's team is a spectrum of different nationalities and cultures, reflecting their global presence and mindset, mak-

ing their communication smooth and hassle-free with clients from all around the world. Customer care, Innovation and flexibility has always been our values and we intend to keep this reputation for many years to come.

ARTIXIUM FRANCHISES

"From your project's conception to its completion."



112 Avenue Franklin Roosevelt
69120 Vaulx-en-Velin
France



Artixium Operational Center
518000 Shenzhen
China



Weissensteinstrasse 90b,
46149 Oberhausen
Germany



Merkez Mah. Baglar Cad. A
Blok Apt. No: 14D/13 Kagithane, Istanbul
Turkey



 www.artixium.com

 0 428 001 801

 [linkedin.com/company/artixium](https://www.linkedin.com/company/artixium)

 twitter.com/artixium

 contact@artixium.com

 [youtube.com/@artixium](https://www.youtube.com/@artixium)

 [facebook.com/artixium](https://www.facebook.com/artixium)

 [instagram.com/artixium](https://www.instagram.com/artixium)



Since its creation in 2012 by two european entrepreneurs, Artixium has been evolving and always looking for innovative ways to contribute to the digital transition of our world. It only took a few years for Artixium to become a key player in the LED display industry.

www.artixium.com